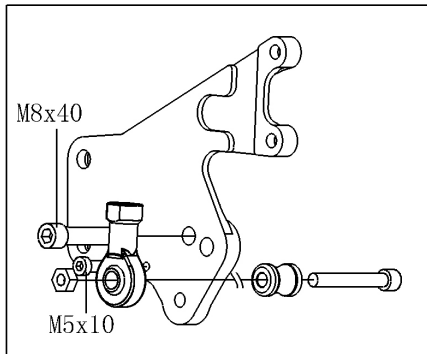
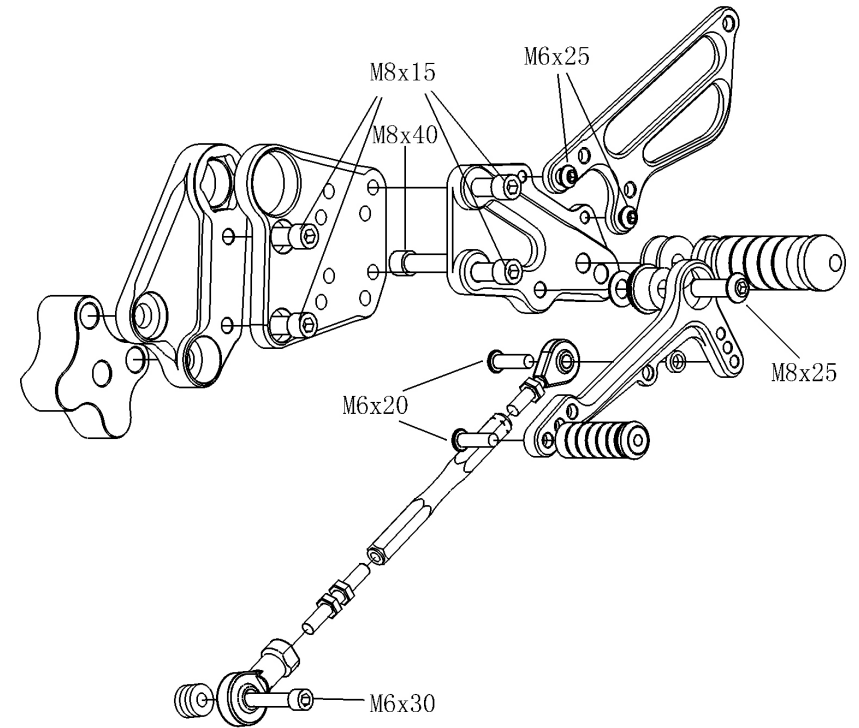
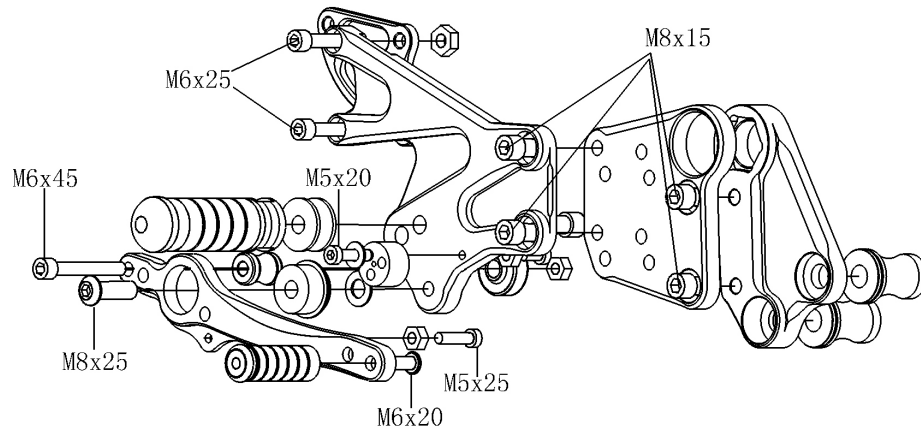
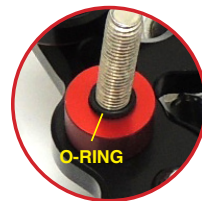


MGP REAR SETS - KTM RC390 2014-16



! REMOVE PRE-ASSEMBLY O-RINGS BEFORE INSTALLING

! APPLY LOCKTIGHT TO ALL MOUNTING FASTENERS



UNLESS OTHERWISE SPECIFIED, DIMENSIONS ARE IN INCHES .XX ± 0- .XXX ± 0.00- ANGULAR ± ° XXXX ± 0.000- FRACTIONAL ±		NAME	DATE	MGP <small>PERFORMANCE</small>	
SURFACE FINISH ✓		DRAWN	Bruce B.		05/01/15
DO NOT SCALE DRAWING		CHECKED	Jeremy T.		05/02/15
BREAK ALL SHARP EDGES AND REMOVE BURRS		APPROVED	Roger D.	05/03/15	TITLE KTM RC390 2014-16 REAR SETS
THIRD ANGLE PROJECTION	MATERIAL ALUMINUM	FINISH ANODIZED	SIZE	DWG NO. 91401-2500	REV. B
			SCALE	WEIGHT	SHEET 1 of 1